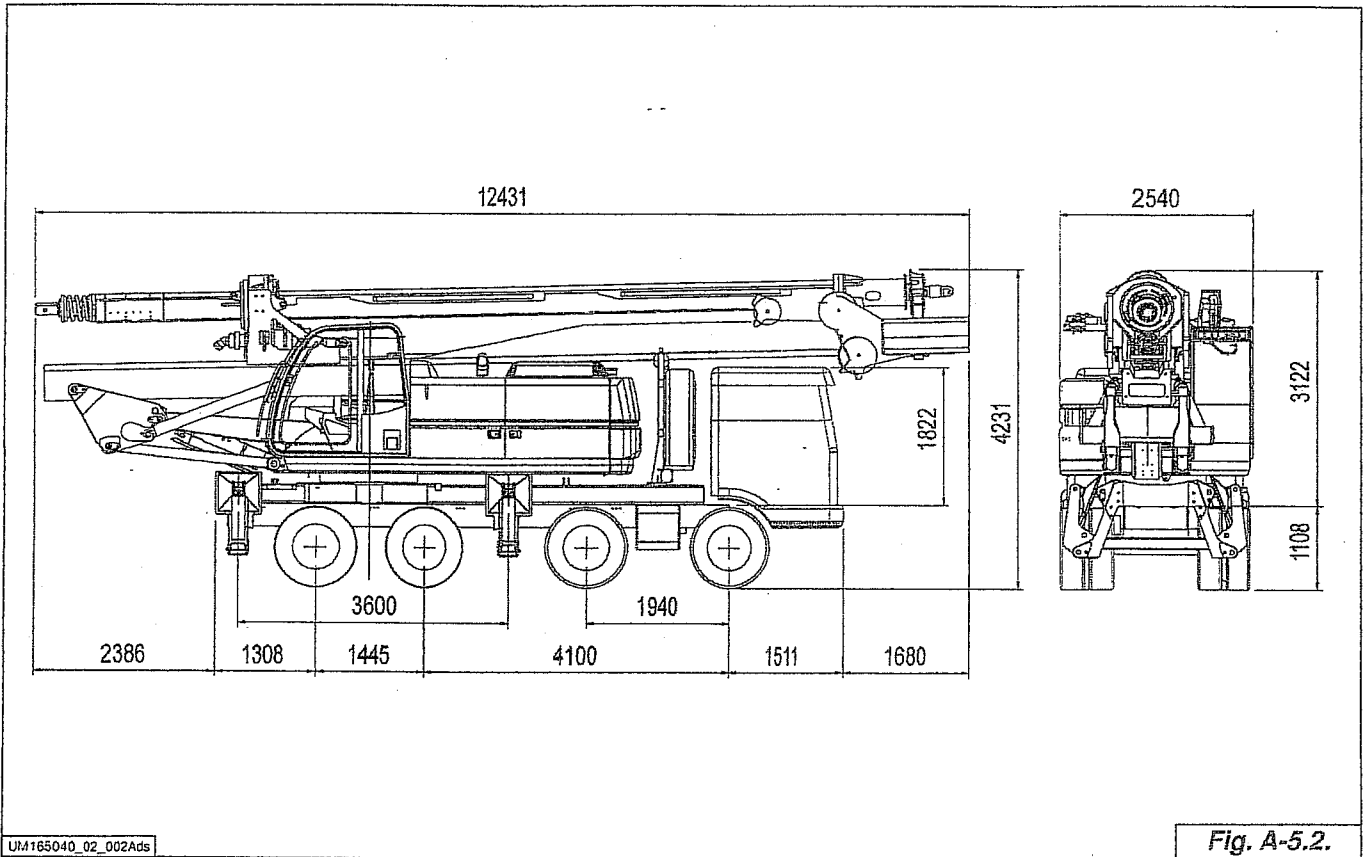




### A-5.2. MACHINE IN TRANSPORT CONFIGURATION



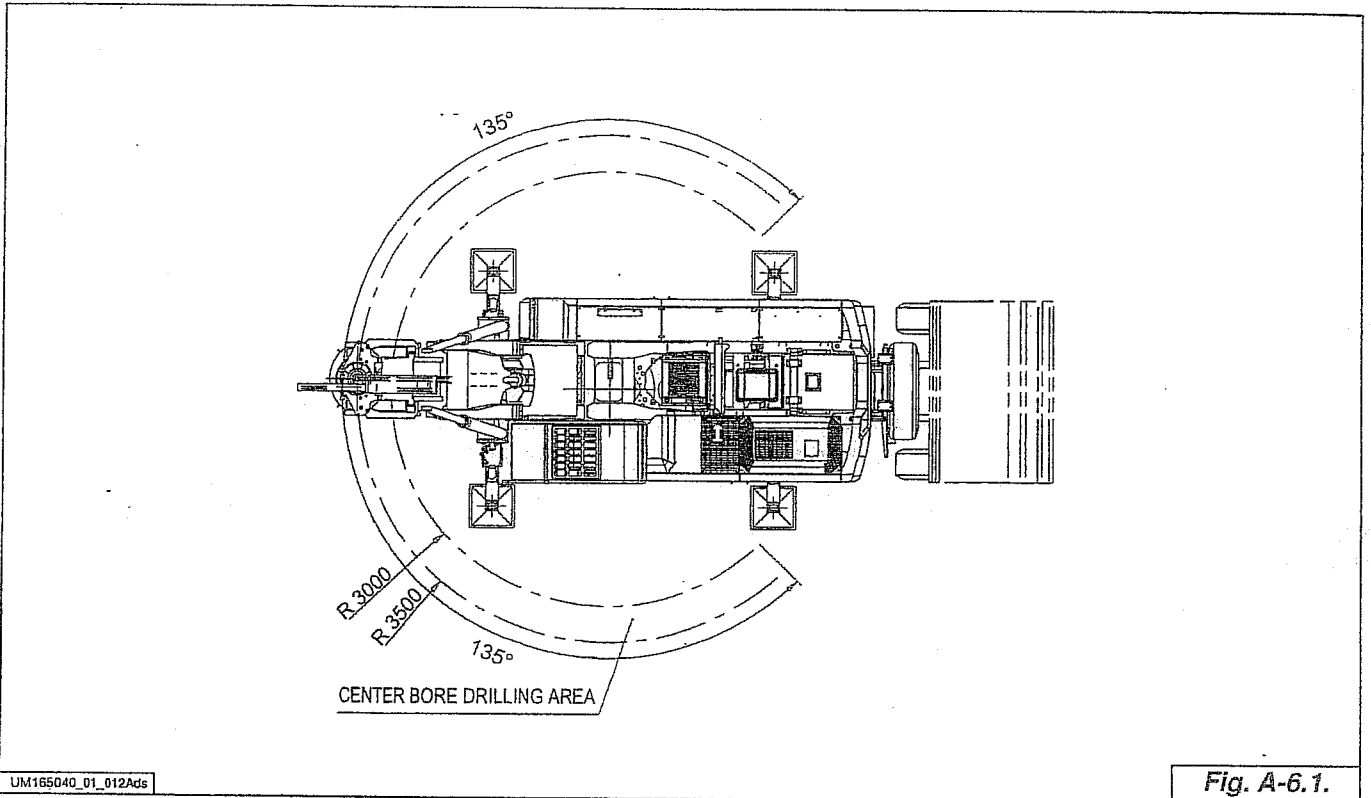
U1165040\_02\_002Ads

Fig. A-5.2.

### WEIGHTS

Weight in transport configuration (truck weight excluded)	29000 kg
Weight in transport configuration without kelly (truck weight excluded)	24300 kg

### A-6.4. WORK AREA



UM165040\_01\_012Ads

Fig. A-6.1.